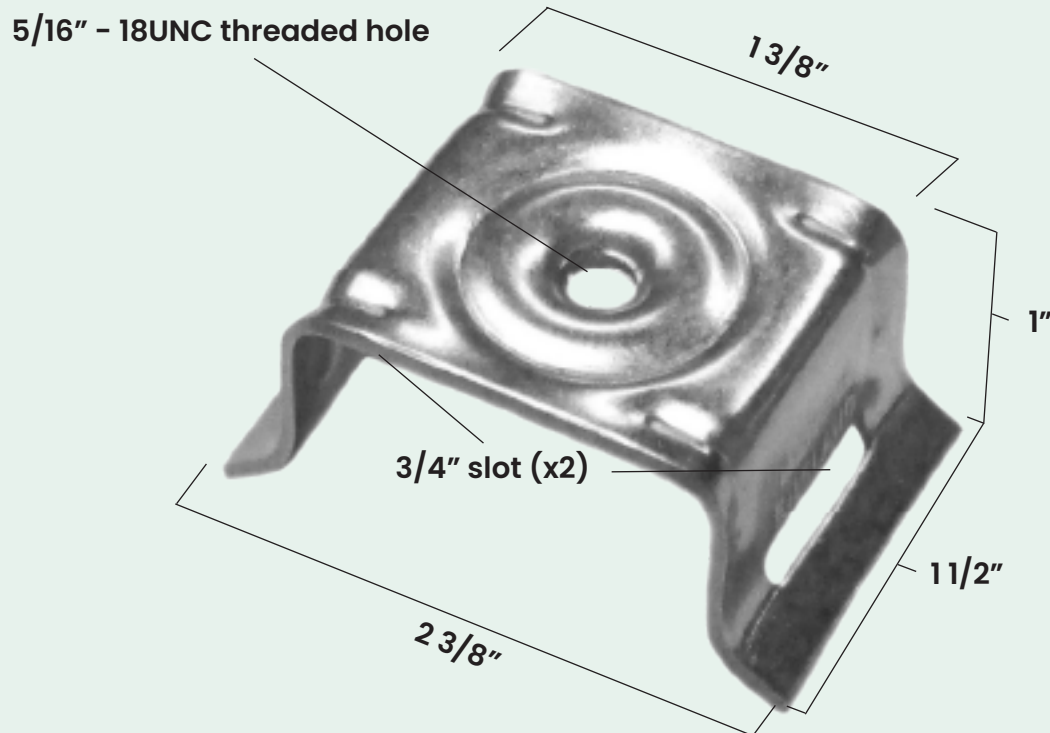


Flared Leg Bracket #3004

Mounts to 4" and larger round posts, 2 1/2" and larger square posts, and lamp standards



PRODUCT SPECIFICATIONS

- Stainless steel, will not rust
- 100% Recyclable
- Vibratory polished to a low sheen
- Strap to post, bolt through sign mounting
- Flared stand-off legs for mounting to larger surfaces

TESTING SPECIFICATIONS

- Sign mounting fasteners tested at 100 in-lbs torque
- Typically used with grade 18/8 fasteners